

Specification

Product Model: **SJD-USB960P**

Product Version: **VER:1.00**

Customer part number:

Date:

USER			MANUFACTURER		
QA by	Project by	Approved by	Prepared by	Checked by	Approved by

Catalogue

Catalogue	2
Version	3
1. Profile	4
2. Capability Parameter	4
3. Reliability test	5
4. Structural Diagram	6
5. Wiring	7
6. Packing	7
7. Precautions	8

Version

Date	Version	Content
2017-07-10	A0	The First Version

1、Profile:

SJD-USB960P V1.00 camera module, adopt 1/3" CMOS Sensor with high quality image; The product is used for video door bell and monitoring field which need to capture the image; supporting USB 1.1/2.0 interface, no need for driver; This camera module has small volume, high accuracy for color revert, clear image, low consumption, high dependability etc. advantage.

2、Capability Parameter:

NO	Items	Parameters
1	Image sensor	Aptina AR0130
2	Effective pixel	1280(H)X960(v)
3	Output image format	MIPEG/YUV2(YUYV)
4	Resolution and FPS	1280X960 MJPEG@ 15fps YUY2@9fps/ 1280X720MJPEG@30fps YUY2@15fps 800X600 MJPEG@30fps YUY2@20fps/ 640X480 MJPEG@ 30fps YUY2@ 30fps
5	Pixel size	3.75um*3.75um
6	S/N ratio	44dB
7	Dynamic range	83.5dB
8	Sensitivity	5.5V/lux-sex@550nm
9	Min. illumination	0.01lux
10	Shutter type	Electronic rolling shutter / Frame exposure
11	Interface type	USB2.0 High Speed
12	Support the agreement of	USB Video Class(UVC)
13	Automatic exposure	support
14	Automatic white	support
15	Automatic gain cont	support
16	Adjustable parameter	Brightness, Contrast, color saturation, Tonal, definition, Gamma, White balance, Backlight contrast, exposure etc.
17	Lens	3.6/2.8/3.7/4.3mm
18	Power supply mode	USB BUS POWER 4P 2.0MM plug
19	Input Voltage	DC5V
20	Current	160mA~180mA
21	Working temp.	-10~70℃
22	Storage temp.	-20~75℃
23	Dimension	Optional 38X38mm and 32X32mm

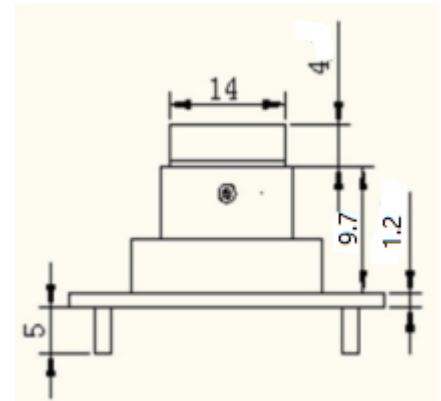
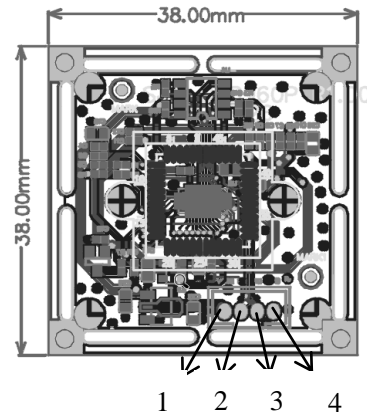
3、Reliability test:

NO	Test items	Testing conditions	Judgment										
1	High Temp. function test	Normal electricity, high temp.70℃; 8H aging test	Test is ok after 8H										
2	Low Temp. function test	Normal electricity, low temp.-10℃; 8H aging test	Test is ok after 8H										
3	Temp.& Humidity test	Temp. 70℃; Humidity 93%; 32H aging test	Test is ok after 32H										
4	High Temp. storage test	Temp. 75℃; 8H	Product will be ok after normal temp.										
5	Low Temp storage test	Temp.-20℃; 8H	Product will be ok after normal temp.										
6	Life test	Normal electricity; Continuous on/off; 48H	Test is ok after 48H shock test										
7	Discontinuous power supply test	Contact discharge: 6.0KV Air discharge:8.0KV Horizontal/Vertical discharge: 8.0KV	Function and appearance are all ok										
8	Vibration test	1. Vibration standard: (1).Direction: Y direction (2).Range: 2mm (3).Frequency: 10HZ to 50HZ (4).Surface:1surface fixed when testing another 3 surface (5). Time: 30mins /every surface	The camera structure &function is normal after vibration, all accessories& blister are ok.										
9	Drop test	1. Drop standard: (1). Floor: concrete floor steel plate (2). Direction: corner、three sides、six surface (3). Drop way:free falling (4). Height: according to the product's weight as follows: <table border="1" data-bbox="523 1570 948 1800"> <thead> <tr> <th>Weight</th> <th>Height</th> </tr> </thead> <tbody> <tr> <td>0kg<W≤4.5kg</td> <td>91cm</td> </tr> <tr> <td>4.5kg<W≤11.8kg</td> <td>76cm</td> </tr> <tr> <td>11.8kg<W≤23.1kg</td> <td>61cm</td> </tr> <tr> <td>23.1kg<W≤45.4kg</td> <td>46cm</td> </tr> </tbody> </table>	Weight	Height	0kg<W≤4.5kg	91cm	4.5kg<W≤11.8kg	76cm	11.8kg<W≤23.1kg	61cm	23.1kg<W≤45.4kg	46cm	The camera structure and function is normal after dropped ,all of accessories& blister are well.
Weight	Height												
0kg<W≤4.5kg	91cm												
4.5kg<W≤11.8kg	76cm												
11.8kg<W≤23.1kg	61cm												
23.1kg<W≤45.4kg	46cm												

4、 Structural drawing:

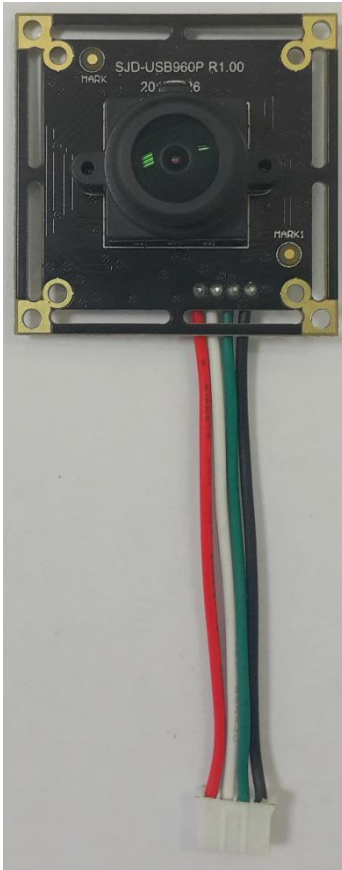
Following size units are: mm, tolerance±0.2mm(exclude marked)

RYS USB/IR 960P01(camera drawing)		
Unit (mm)		
Connect 4P USB cable 4P 2.0	1	DC5V 输入
	2	DM
DC 5V input	3	DP
Video output	4	GND

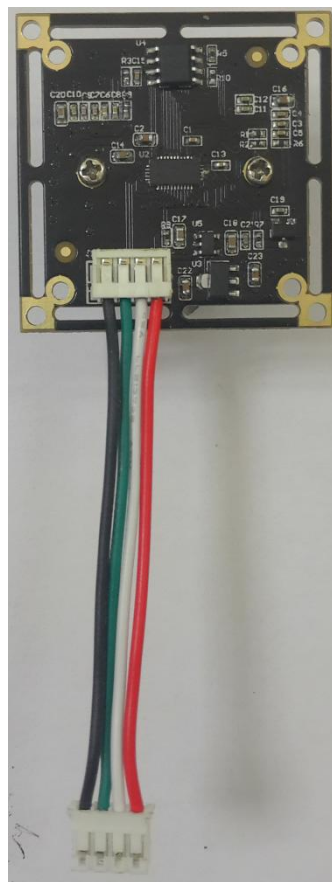


Product pictures

Front

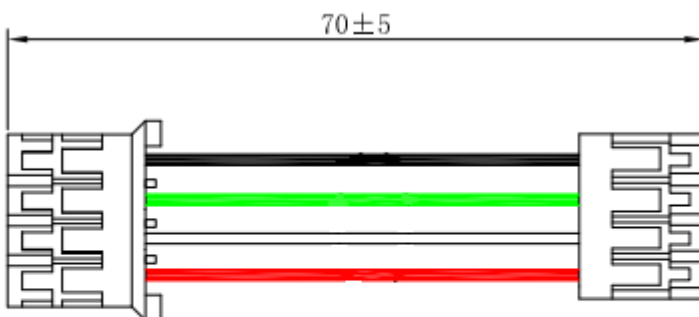


Back



5、Wiring:

PH2.0-4P/SAN2.0-4P



6、Packing:

TBD.

7. Label

The outside information of each carton as follows:

Manufacturer'S code:

Order Number:

Material Specification:

Raw numbers:

Production date:

Delivery Quantity:

Delivery Date:

Guarantee period:

Remark:

8、Precaution:

- 1、 the input voltage don't exceed the value stated on the specification , in order to avoid damage to the module.
- 2、 The connector can't be reversed , reverse burn the board and affect the use of the product.
- 3、 This is a electronic product, so processing, assembly , operation need to take anti -static measures to avoid affecting product performance.
- 4、 Lens is glass product, place carefully to avoid breakage.
- 5、 Lens is glass-made product, please take anti-dust, loss prevention measures to prevent the image quality.